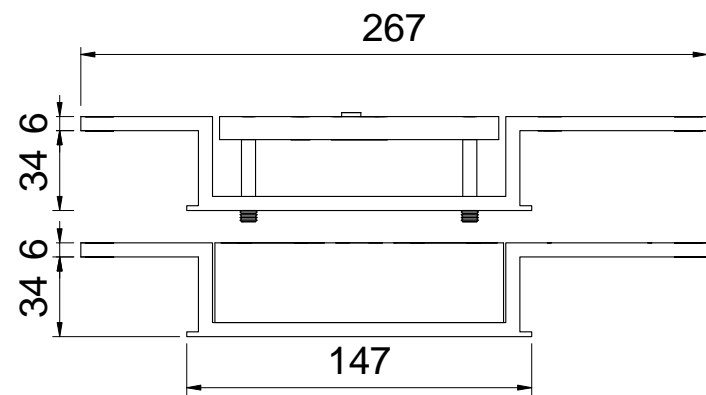
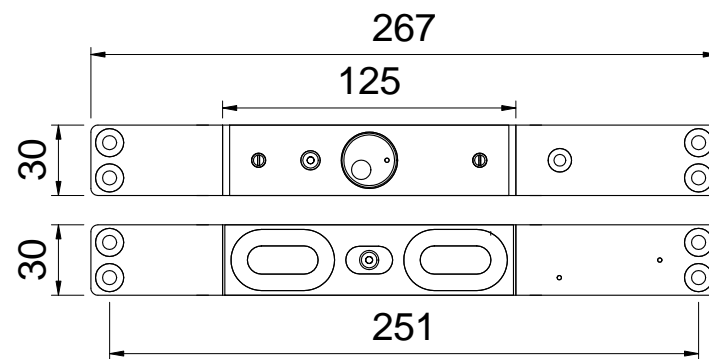


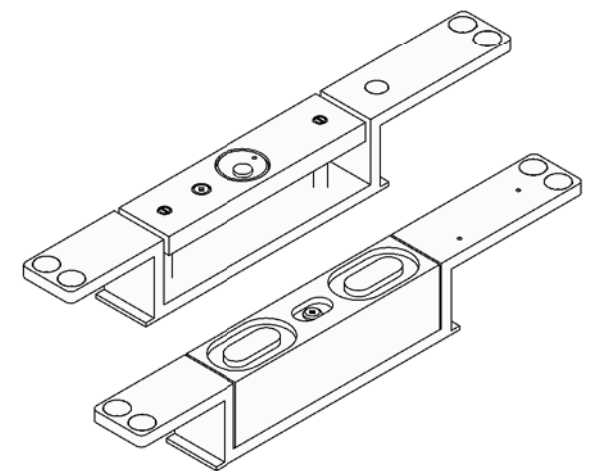
**02** Side View  
1 : 3



**03** Front View  
1 : 3




**04** Top View  
1 : 3



**01** 3D View

Mortice Electromagnetic Shearlock		
Item	Description	Finish Option
KEM-GS705-30	KCC Mortice Electromagnetic Shearlock Monitored, 2700lbs Holding Force	Black

Rev	Date	Description	Initial
Title : KEM-GS705-30			
Contract : KCC Architectural			
Scales are as shown, original drawing size A3			
		Creator : IN	
		Checked by : SQ	
		Scale : N.T.S	
		First issue : 09-01-2020	
		Project No :	
DRG No :		Rev	